

OAKwood®

USER GUIDE

OAKWOOD® TOILET SURROUND

ORDERING CODE: 228



SAFE WORKING LOAD 100KG

CONTENTS

1. Intended use	3
2. Safe use.....	3
3. Product specifications	3
4. Instructions for use.....	4
5. Care and maintenance	5
6. Warranty.....	6

1. INTENDED USE

This simple to fit toilet surround attaches to the rear of the toilet. Made from aluminium, it has moulded arm rests. Height and width are both adjustable. Provides assistance in sitting down and rising from the seat.

2. SAFE USE



WARNING! This user manual must be read before using the toilet surround. Severe injury or death may result if user instructions, maintenance instructions and product warnings are not followed.



WARNING! The decision to use this toilet surround should always be guided by a qualified Health Care Professional, who can also advise and assist with the correct height adjustment and usage instruction.

- Do not exceed the safe working load of 100kg.
- Check that the toilet surround is firmly assembled before use.
- Inspect at regular intervals for wear and damage. Remove from use immediately if faults are found.
- Supervision or assistance when using the toilet surround is recommended for users with limited mobility.
- Use the toilet surround only for the purpose it is intended for.

3. PRODUCT SPECIFICATIONS

Safe working load	100kg
Height	650mm – 750mm
Width	450mm – 550mm

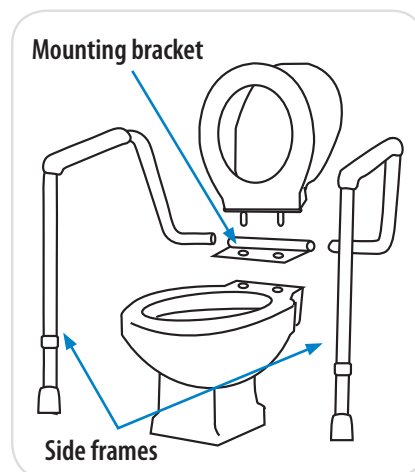
OPTIONS

Various accessories are available to customise this product to better suit the user's specific needs, please contact Cubro for more information.

4. INSTRUCTIONS FOR USE

HOW TO INSTALL THE TOILET SAFETY FRAME

- Remove the existing toilet seat, toilet lid and mounting hardware from the toilet bowl.
- Place the mounting bracket of the toilet safety frame on the flat surface of the bowl, and align the holes. The tube of the bracket should be towards the rear, closest to the toilet tank.
- Replace the toilet seat, inserting original bolts through holes in mounting bracket and toilet. Replace original nuts and tighten.
- Insert side frames into bracket. Depress spring buttons in order to slide side frame into desired position.



ADJUSTING THE HEIGHT

The surround is height adjustable to match individual user requirements. A series of holes along each leg allow armrest height to be adjusted from 650mm to 750mm.

A brass locking button is used to secure the height of each leg.

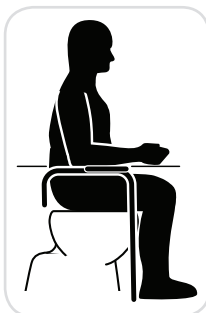
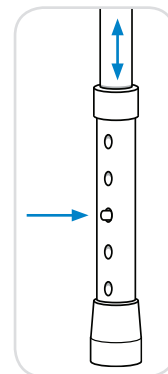
Press in the locking button to disengage, and turn the leg slightly so the button is no longer aligned with the holes. Move the leg up or down to your ideal height setting, then turn the leg back to align the locking button with the nearest hole. This is applicable to both legs.

The locking button must be fully engaged and protruding through the height adjustment hole to ensure a positive lock.

Before use, test that locks are fully engaged and ensure the surround is stable and resting firmly on the floor's surface.



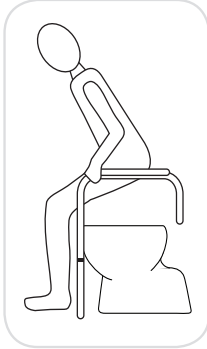
WARNING! Ensure left and right support leg are set so that the toilet surround is level. Severe injury or death may result if this is not done correctly.



IDEAL ARMREST HEIGHT

With the user seated, ideal armrest height is at elbow height, with user's arms resting against their sides and lower arms resting flat on armrest. Upper arms should never flare outwards during transfer.

HOW TO USE THE TOILET SURROUND



- To sit on the toilet, move backwards until you can feel the seat behind your legs, place each hand on the armrest of the toilet surround. Support your body and lower yourself down.
- When getting off the toilet, move your bottom to the front edge of the seat ensuring your feet are firmly placed on the floor. Use the armrests to push yourself into a standing position leading with your head and shoulders.

5. CARE AND MAINTENANCE

For Any Servicing, Maintenance and Troubleshooting Queries,
Please Contact The Cubro Service Dept;

Ph. 0800 656 527

Ph. +64 7 578 7228

E: sales@cubro.co.nz cubro.co.nz

Address: 149 Taurikura Dr, Tauriko, Tauranga, New Zealand



WARNING! Do not make any changes or modifications to this product without consultation from your Cubro agent.

- Clean and disinfect using regular household cleaning products.
- DO NOT use abrasive powders or scouring pads to avoid causing corrosion.
- Should the equipment appear damaged, corroded or rusted remove from use immediately.

DISPOSAL

Products that can no longer be used are to be disposed of separately from household rubbish. This must be done according to the local and national regulations for environmental protection and raw material recycling.

Please look at your local council's website for further information on the correct disposal.

For extra copies of this user guide or a different format
please contact Cubro.

6. LIMITED WARRANTY

1. This warranty applies only to the original purchaser of CUBRO LTD's product (who must be a purchaser who is resident or carrying on business in New Zealand and who has purchased the product directly from CUBRO LTD, or from a CUBRO LTD authorized distributor or reseller in New Zealand) and it is not transferable to any other person or entity.
2. This warranty replaces all conditions, warranties or guarantees that might be implied by law in favour of any person, which are excluded to the fullest extent permissible by law. Where the Consumer Guarantees Act would apply but the purchaser acquires or holds themselves out as acquiring any product for business purposes, the guarantees provided under the Consumer Guarantees Act are excluded in relation to that product.
3. CUBRO LTD warrants the product to be free from defects in materials and workmanship from date of purchase for a period of one year (12 months). This warranty does not cover any damage, defect, expense or loss of any kind caused by accident, misuse, abuse, neglect, negligence, alteration or modification (which includes the use of unauthorised parts or attachments), improper service, repair by other than authorized personnel or any defects not related to materials or workmanship. Wear of components in normal operation and failures resulting therefrom are excluded from this warranty.
4. CUBRO LTD has no obligation to the purchaser and is not obligated to honour all or any part of this warranty unless the following procedure is followed by the purchaser:
 - a. Before making a warranty claim, the purchaser should ensure that the product is defective by following standard 'trouble shooting' procedures and be able to attribute the fault to a defect in materials and/or workmanship of CUBRO LTD;
 - b. If CUBRO LTD determines that the product is not defective, or that the warranty claim is otherwise invalid, CUBRO LTD shall charge the purchaser a handling and servicing fee as well as any freights costs.
 - c. Upon receiving notice from the purchaser of an alleged defect in a product (which defect should be reported to CUBRO LTD immediately), CUBRO LTD will issue a serialized return management authorization (RMA). The purchaser must then return the entire unit or remove, at the purchaser's cost, the defective component part(s) identified, pack the unit or the component part(s) in a manner to avoid shipping damage and to ship the unit or the component part(s) to either CUBRO LTD, or a service centre as specified by CUBRO LTD, within 30 days of the date of the serialized return authorization date.
 - d. If CUBRO LTD require additional information relating to the use of the product by the purchaser or any other relevant information, the purchaser will supply such information as soon as practically possible and in such a manner as CUBRO LTD may reasonably require.
 - e. If CUBRO LTD access the purchaser's claim, it will either repair or replace the product, or repair or replace the defect in workmanship, as it may determine in its sole discretion.
5. Proper selection of a specific product for a specific application and operating environment, and its compatibility with other equipment is the purchaser's responsibility. CUBRO LTD does not warrant the performance of its products or their suitability for a particular purpose.
6. CUBRO LTD shall not be liable under any heading (whether in contract, negligence, or otherwise) for any consequential, indirect or incidental loss or damages of any kind and the maximum aggregate liability of CUBRO LTD (under any one or more headings) shall be the purchase price of the product.



Freephone 0800 656 527
Freefax 0800 428 276
www.cubro.co.nz